

Product data sheet

Characteristics

9050JCK70V20

Timing Relay, Type JCK, plug In, multifunction, programmable, 0.5 second to 999 hours, 10A, 240 VAC, 120 VAC/110 VDC



Product availability: Stock - Normally stocked in distribution facility

Price*: 173.00 USD



Main

Range of product	9050JCK
Product or component type	Timer
Time delay type	One shot falling edge Repeat cycle Trigger on-delay Interval Off-delay Watchdog One shot On-delay On-delay and off-delay
Time delay range	1...999 h 0.05...9.99 s 1...999 s 0.1...99.9 s 0.1...99.9 h 1...999 min
[Uc] control circuit voltage	120 V AC

Complementary

Hold-in power consumption in VA	3 VA
Line Rated Current	10 A
Switch function	DPDT
Contacts type and composition	2 NO + 2 NC
Contacts material	Silver nickel
Maximum switching voltage	240 V AC
Mounting support	Socket
Pin number	11
Shape of pin	Tubular
Product compatibility	8501NR61 8501NR62

Environment

Product certifications	CE UL Recognized UL Listed
Ambient air temperature for operation	-18...150 °F (-28...66 °C)
Height	2.36 In (60 mm)
Width	1.73 In (44 mm)
Depth	3.58 In (91 mm)

Ordering and shipping details

Category	21652 - 9050 JCK60, 70 PROGRAMMABLE TIMERS
Discount Schedule	CP2
GTIN	00785901053880
Nbr. of units in pkg.	1
Package weight(Lbs)	4.80 Oz (136.078 g)
Returnability	Yes
Country of origin	US

Packing Units

Unit Type of Package 1	PCE
Package 1 Height	1.90 In (4.826 cm)
Package 1 width	2.50 In (6.35 cm)
Package 1 Length	4.30 In (10.922 cm)

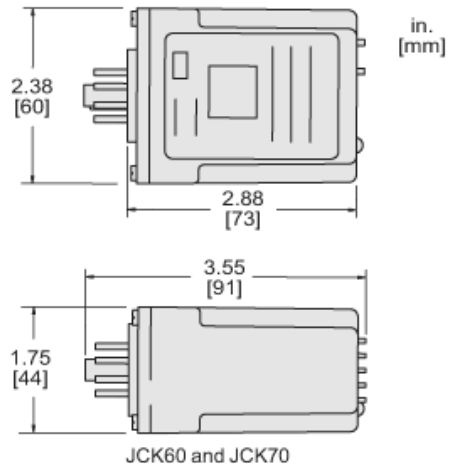
Offer Sustainability

Sustainable offer status	Green Premium product
REACH Regulation	REACH Declaration
REACH free of SVHC	Yes
EU RoHS Directive	Pro-active compliance (Product out of EU RoHS legal scope) EU RoHS Declaration
Toxic heavy metal free	Yes
Mercury free	Yes
RoHS exemption information	Yes
China RoHS Regulation	China RoHS Declaration
Environmental Disclosure	Product Environmental Profile
Circularity Profile	End Of Life Information

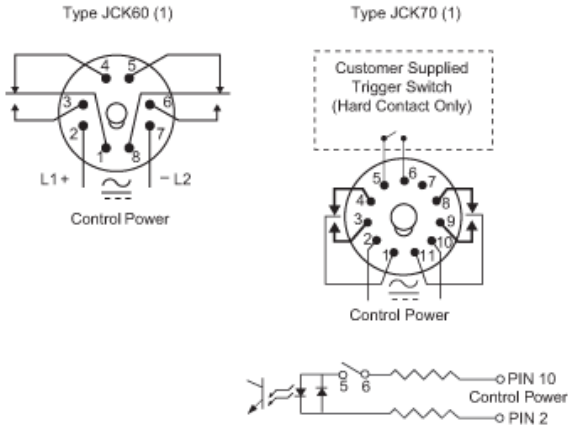
Contractual warranty

Warranty	18 months
----------	-----------

Approximate Dimensions



Connections and Wiring Diagrams



(1) Do not apply DC voltage to the 240 Vac timers (voltage code V24).

Product Life Status : **Commercialised**